

DH-HAC-HDBW1400R-Z

4MP HDCVI IR Dome Camera



* The parameters and datasheets below can only be applied to 1400-S3 series.

- Max 30fps@4MP
- HD and SD output switchable
- 2.7-12mm motorized lens
- Max. IR length 30m, Smart IR
- IP67, IK10, DC12V



System Overview

Experience 4MP full HD video and the simplicity of using existing cabling infrastructure with HDCVI. The Lite series 4MP HDCVI camera features a compact design and offers a high quality image at a friendly price. It offers various motorized/fixed lens models with a multi-language OSD and HD/SD switchable output. Its structural flexibility and high cost-performance makes the camera an ideal choice for SMB solutions.

Functions

4 Signals over 1 Coaxial Cable

HDCVI technology supports 4 signals to be transmitted over 1 coaxial cable simultaneously, i.e. video, audio*, data and power. Dual-way data transmission allows the HDCVI camera to interact with the XVR, such as sending control signal or triggering alarm. Moreover, HDCVI technology supports PoC for construction flexibility.

* Audio input is available for some models of HDCVI cameras.

Long Distance Transmission

HDCVI technology guarantees real-time transmission at long distance without any loss. It supports up to 700 m for 4MP HD video via coaxial cable, and up to 300 m via UTP cable.*

*Actual results verified by real-scene testing in Dahua's test laboratory.

Simplicity

HDCVI technology inherits the born feature of simplicity from traditional analog surveillance system, making itself a best choice for investment protection. HDCVI system can seamlessly upgrade the traditional analog system without replacing existing coaxial cabling. The plug and play approach enables full HD video surveillance without the hassle of configuring a network.

Smart IR

The camera is designed with IR LED illumination for best lowlight performance. Smart IR is a technology to ensure brightness uniformity in B/W image under low illumination. Dahua's unique Smart IR adjusts to the intensity of camera's infrared LEDs to compensate for the distance of an object, and prevents IR LEDs from overexposing images as the object come closer to the camera.

Multi-formats

The camera supports multiple video formats including HDCVI, CVBS and other two common HD analog formats in the market. The four formats can be switched over through OSD menu or by PFM820(UTC controller). This feature makes the camera to be compatible with most end users' existing HD/SD DVRs.

Multi-language OSD

OSD menu provides multiple image adjustments and function settings to meet the requirements of different monitoring scenes. The OSD menu includes configurations such as backlight mode, day/night, white balance, privacy mask and motion detect. The camera supports 11 languages for OSD menu, namely, Chinese, English, French, German, Spanish, Portuguese, Italian, Japanese, Korean, Russian and Polish.

Protection

The camera's outstanding reliability is unsurpassed due to its rugged design. The camera is protected against water and dust with IP67 ranking, making it suitable for indoor or outdoor environments. The camera complies with an IK10 vandal resistance rating making it capable of withstanding the equivalent of 5 kg (11.02 lbs) of force dropped from a height of 40 cm (15.75 in). With working temperature range of -30 °C to +60 °C (-22 °F to +140 °F), the camera is designed for extreme temperature environments. Supporting ±30% input voltage tolerance, this camera suits even the most unstable power supply conditions. Its 4KV lightning rating provides protection against the camera and its structure from the effects of lightning.

Technical Specification

Camera

Image Sensor	1/2.7 inch CMOS
Effective Pixels	2560(H)×1440(V), 4MP
Scanning System	Progressive
Electronic Shutter Speed	PAL: 1/25s–1/100000s NTSC: 1/30s–1/100000s
S/N Ratio	>65dB
Minimum Illumination	0.02Lux/F1.7, 30IRE, 0Lux IR on
Fill Light Working Distance	30 m (98.4 ft)
IR On/Off Control	Auto; manual
IR LED Number	2
Pan/Tilt/Rotation Range	Pan: 0°–355° Tilt: 0°–75° Rotation: 0°–355°

Lens

Lens Type	Motorized vari-focal				
Auto Focus	N/A				
Mount Type	φ14				
Focal Length	2.7 mm-12 mm				
Max. Aperture	F1.7				
Field of View	Diagonal: 38°– 127° Horizontal: 33°– 106° Vertical: 19°– 56°				
Iris Type	Fixed iris				
Close Focus Distance	0.8m (2.6 ft)				
DORI Distance		Detect	Observe	Recognize	Identify
	2.7mm	58.7m (192.6 ft)	23.5m (77.1 ft)	11.7m (38.4 ft)	5.9m (19.4 ft)
	12mm	177.8m (583.3 ft)	71.1m (233.27 ft)	35.6m (116.8 ft)	17.8m (58.4 ft)

Video

Frame Rate	CVI: PAL: 4M@25fps; 1080P@25fps; NTSC: 4M@30fps; 1080P@30fps AHD: PAL: 4M@25fps; NTSC: 4M@30fps TVI: PAL: 4M@25fps; NTSC: 4M@30fps CVBS: PAL: 960H; NTSC: 960H
Resolution	4M (2560 × 1440); 1080P (1920 × 1080); 960 H (960 × 576/960 × 480)
Day/Night	Auto switch by ICR
BLC	BLC/HLC/DWDR
WDR	DWDR
White Balance	Auto; manual

Gain Control	Auto; manual
Noise Reduction	2D NR
Smart IR	Yes
Electronic Defog	Yes
Mirror	Off/On
Privacy Masking	Off/On (8 area, rectangle)

Certifications

Certifications	CE (EN55032:2015, EN 61000-3-2:2014, EN 61000-3-3:2013, EN55024:2010+A1:2015, EN 55035:2017, EN50130-4:2011+A1:2014) FCC (CFR 47 FCC Part 15 subpartB, ANSI C63.4-2014) UL (UL60950-1+CAN/CSA C22.2 No.60950-1)
----------------	---

Port

Video Output	Video output choices of CVI/TVI/AHD/CVBS by one BNC port
--------------	--

Power

Power Supply	12V ±30% DC
Power Consumption	Max 5.3W (12V DC, IR on)

Environment

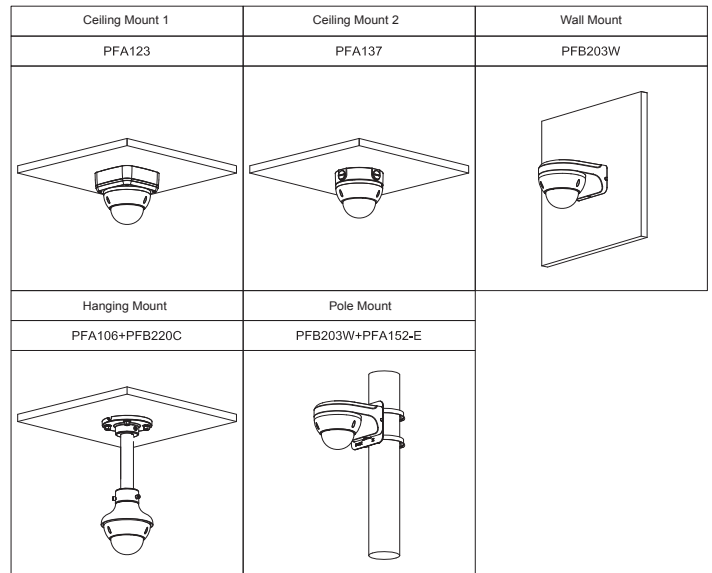
Operating Temperature	-30°C to +60°C (-22°F to 140°F);<95% (non-condensation)
Storage Temperature	-30°C to +60°C (-22°F to 140°F);<95% (non-condensation)
Protection Grade	IP67, IK10

Structure

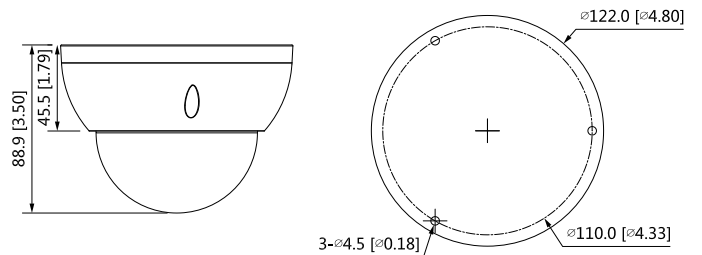
Casing	Plastic dome cover+mental upper casing+mental pedestal
Camera Dimensions	φ122.0 mm × 88.9 mm (φ4.80" × 3.50")
Net Weight	0.44 Kg (0.97 lb)
Gross Weight	0.7 Kg (1.54 lb)

Ordering Information

Type	Part Number	Description
4MP Camera	DH-HAC-HDBW1400RP-Z 2.7-12mm	4MP HDCVI IR Dome Camera
	DH-HAC-HDBW1400RN-Z 2.7-12mm	
Accessories	PFA123	IP66 Junction box
	PFA137	Junction box
	PFB203W	Wall Mount Bracket (For use alone or with PFA152-E)
	PFA152-E	Pole Mount Bracket (For use with PFB203W)
	PFB220C	Ceiling Mount Bracket (For use with PFA106)
	PFA106	Mount Adapter (For use with PFB220C)
	PFB220C	Ceiling Mount Bracket
	PFM800-4K	Passive HDCVI Balun
	PFM321D	12V 1A Power Adapter
	PFM820 (Only 1080P and below are available)	UTC Controller
	PFM904	Integrated Mount Tester



Dimensions (mm[inch])



Accessories

Optional:



PFA123
IP66 Junction box



PFA137
Junction box



PFB203W
Wall Mount Bracket
(For use alone or with PFA152-E)



PFA152-E
Pole Mount Bracket (For use with PFB203W)



PFB220C
Ceiling Mount Bracket
(For use with PFA106)



PFA106
Mount Adapter (For use with PFB220C)



PFM800-4K
Passive HDCVI Balun



PFM321D
12V 1A Power Adapter



PFM820
UTC Controller



PFM904
Integrated Mount Tester